



# TURBOFARMER COMPACT TF30.9-115EE4



## PERFORMANCE AND FEATURES

TF30.9-115EE4

### PERFORMANCE

Total unladen weight (lb)	15873
Maximum capacity (lb)	6600
Lifting height (ft)	28' 2"
Maximum reach (ft)	4.8' 7"
Maximum operating height (ft)	16' 0"
Maximum operating reach (ft)	5' 1"
Capacity at maximum height (lb)	2400
Capacity at maximum reach (lb)	1300
Lateral boom movement (inch)	-
Tilting correction (%)	-
Boom sections	3

### POWERTRAIN

Turbo motor	DEUTZ TCD3.6
Displacement/cylinders	3600/4
Engine Power (kW/HP)	85/115
Anti-pollution technology	TIER 4, SCR + DOC
Reversible fan	●
Maximum speed (mph)	25
Fuel tank (gal)	22.5
AdBlue tank (gal)	3.2
Hydrostatic transmission	● - 2V
EPD	Plus
Auto-revving joystick	●
Axles - Reducers	Axial, Epicyclic
Machine brakes	Dry disc
Automatic parking brake	●

### HYDRAULIC

Hydraulic pump	LS+FS
Flow rate/pressure (gal/min – psi)	33 - 3046
Hydraulic tank (gal)	22.5
Hydraulic outlet at the top of the boom	●
Rear hydraulic outlets	○

### CAB

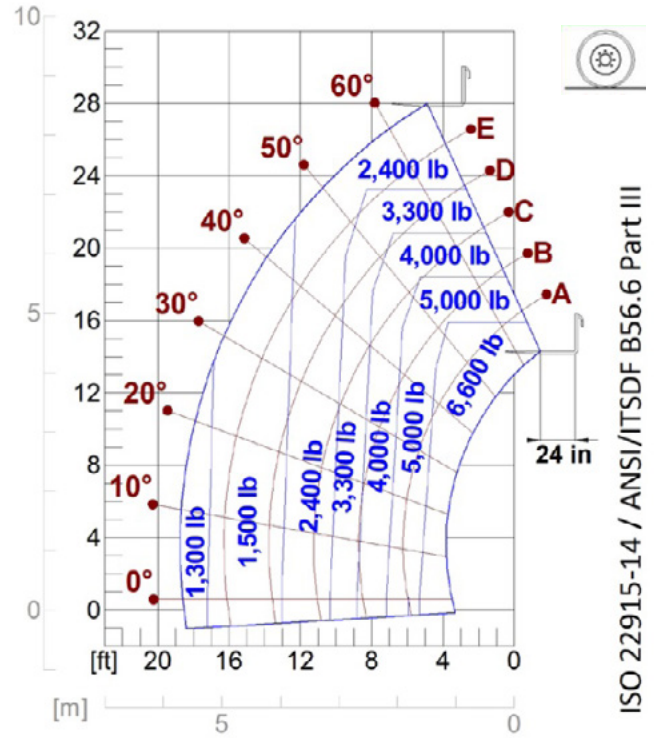
Cab configuration	ECO
ASCS Adaptive Stability Control System	Light
FOPS LIV II cab	●
ROPS cab	●
Cab commands	Electronic joystick
Tilting Cab	-
Reverse shuttle	Dual reverse

### CONFIGURATION

Cab suspension	-
Boom suspension	○
Suspension on axles	-
Work headlights on cab	●
Sun blind	○
Tac-lock	●
Provision for a platform	○
Two floating forks	●
Inching-Control	●
Four-wheel drive	●
Four-wheel steering	●
Three steering modes	●
Standard tyres	400/70-20
Optional tyres	405/70-24, 400/70 24"
Stabilisers	-
Turret rotation	-
Type approval as an agricultural tractor	-
Approval with PNEUMATIC braking	-
Approval with HYDRAULIC braking	○
PTO	-
3-point linkage	-

- Not Available. ● standard. ○ optional.

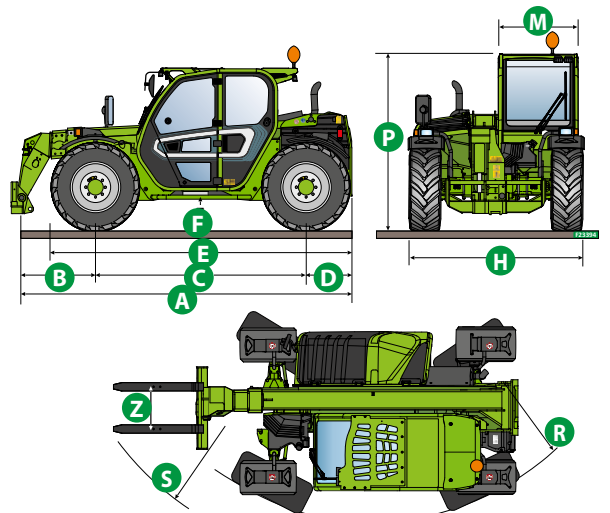
## LOAD CHARTS



TF30.9-115EE4

## DIMENSIONS

	TF30.9-115 EE4		
A (inch)	170.5		
B (inch)	39.0		
C (inch)	107.9		
D (inch)	23.6		
E (inch)	153.9		
F (inch)	11.4		
H (inch)	82.7		
M (inch)	39.8		
P (inch)	83.5 (79.5 L)		
R (inch)	154.7		
S (inch)	183.5		
Z (inch)	33.5		





**MERLO S.P.A.**

Via Nazionale, 9  
12010 S. Defendente di Cervasca  
(Cuneo) Italia

Tel. +39 0171 614111

Fax +39 0171 684101

[info@merlo.com](mailto:info@merlo.com)

[www.merlo.com](http://www.merlo.com)

**Your Merlo dealer**

DS\_TF309EE4 \_0721\_N.A.