



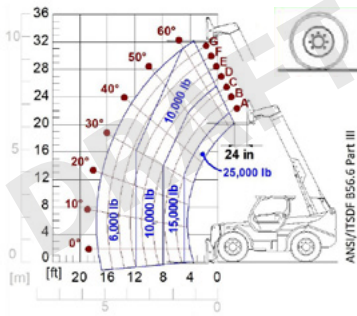
PANORAMIC HM



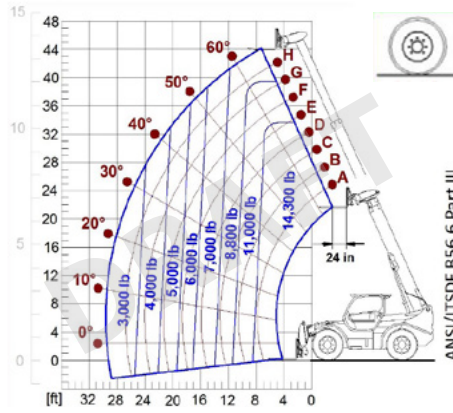
PERFORMANCE AND FEATURES	P50.18HM	P65.14HM	P120.10HM
PERFORMANCE			
Total unladen weight (lb)	34613	33621	35715
Maximum capacity (lb)	11000	14300	25000
Lifting height (ft)	57' 5"	44' 0"	32' 0"
Maximum reach (ft)	44' 0"	30' 0"	17' 5"
Maximum operating height (ft)	40' 0"	33' 5"	25' 5"
Maximum operating reach (ft)	11' 1"	8' 5"	5' 0"
Capacity at maximum height (lb)	5000	8800	10000
Capacity at maximum reach (lb)	1100	3000	6000
Lateral boom movement (inch)	± 17.3	± 14.8	± 17.3
Tilting correction (%)	± 8	± 8	± 8
Boom sections	4	3	2
POWERTRAIN			
Turbo motor	FPT NEF45	FPT NEF45	FPT NEF45
Displacement/cylinders	4500/4	4500/4	4500/4
Engine Power (kW/HP)	125/170	125/170	125/170
Anti-pollution technology	TIER 4, SCR+DPF+DOC	TIER 4, SCR+DPF+DOC	TIER 4, SCR+DPF+DOC
Reversible fan	-	-	-
Maximum speed (mph)	25	25	25
Fuel tank (gal)	40	40	40
AdBlue tank (gal)	11.4	11.4	11.4
Hydrostatic transmission	CVTronic	CVTronic	CVTronic
EPD	Top	Top	Top
Auto-revving joystick	●	●	●
Axles - Reducers	Axial, Epicyclic	Axial, Epicyclic	Axial, Epicyclic
Machine brakes	Wet disc	Wet disc	Wet disc
Automatic parking brake	●	●	●
HYDRAULIC			
Hydraulic pump	LS + FS	LS + FS	LS + FS
Flow rate/pressure (gal/min – psi)	41,7 - 3046	41,7 - 3046	41,7 - 3046
Hydraulic tank (gal)	39.3	39.3	39.3
Hydraulic outlet at the top of the boom	●	●	●
Rear hydraulic outlets	○	○	○
CAB			
Cab configuration	Premium	Premium	Premium
ASCS Adaptive Stability Control System	Full	Full	Full
FOPS LIV II cab	●	●	●
ROPS cab	●	●	●
Cab commands	Electronic joystick	Electronic joystick	Electronic joystick
Tilting Cab	-	-	-
Reverse shuttle	Dual reverse	Dual reverse	Dual reverse
CONFIGURATION			
Cab suspension	-	-	-
Boom suspension	-	-	-
Suspension on axles	-	-	-
Work headlights on cab	●	●	●
Sun blind	●	●	●
Tac-lock	●	●	●
Provision for a platform	○	-	-
Two floating forks	●	●	●
Inching-Control	●	●	●
Four-wheel drive	●	●	●
Four-wheel steering	●	●	●
Three steering modes	●	●	●
Standard tyres	17.5-25"	17.5-25"	17.5-25"
Optional tyres	-	-	-
Stabilisers	-	-	-
Turret rotation	-	-	-
Type approval as an agricultural tractor	-	-	-
Approval with PNEUMATIC braking	-	-	-
Approval with HYDRAULIC braking	-	-	-
PTO	-	-	-
3-point linkage	-	-	-

- Not Available. ● standard. ○ optional.

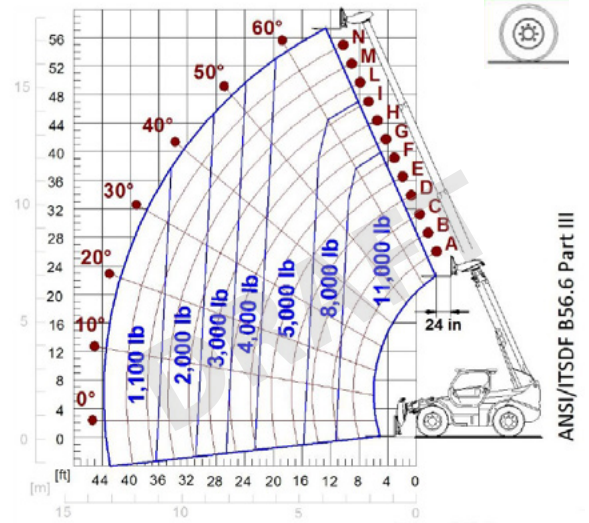
LOAD CHARTS



P120.10HM



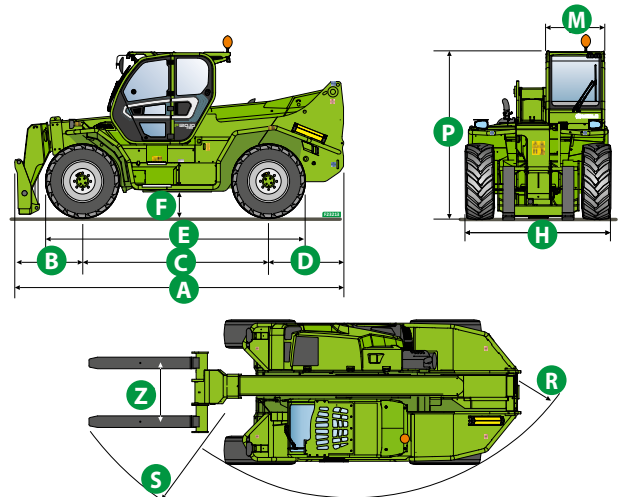
P65.14HM



P50.18HM

DIMENSIONS

	P50.18HM	P65.14HM	P120.10HM
A (inch)	243.3	232.7	227.2
B (inch)	63.2	52.6	45.1
C (inch)	127.6	127.6	129.5
D (inch)	52.6	52.6	52.6
E (inch)	206.1	206.1	207.1
F (inch)	17.7	17.7	17.7
H (inch)	99.2	99.2	99.2
M (inch)	39.8	39.8	39.8
P (inch)	112.2	112.2	112.2
R (inch)	169.3	169.3	169.3
S (inch)	215.7	212.6	224.4
Z (inch)	33.5	33.5	46.1





MERLO S.P.A.

Via Nazionale, 9
12010 S. Defendente di Cervasca
(Cuneo) Italia

Tel. +39 0171 614111

Fax +39 0171 684101

info@merlo.com

www.merlo.com

Your Merlo dealer

DS_PANHM _0721_N.A.