



PANORAMIC P50.17 TOP

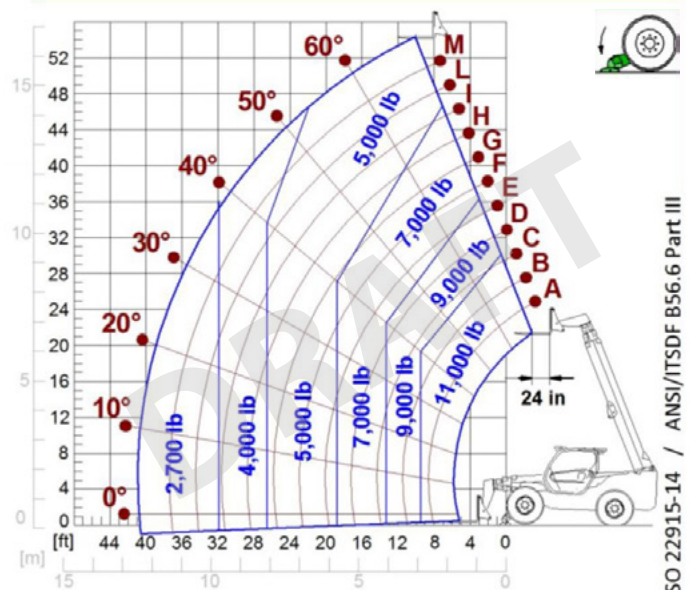
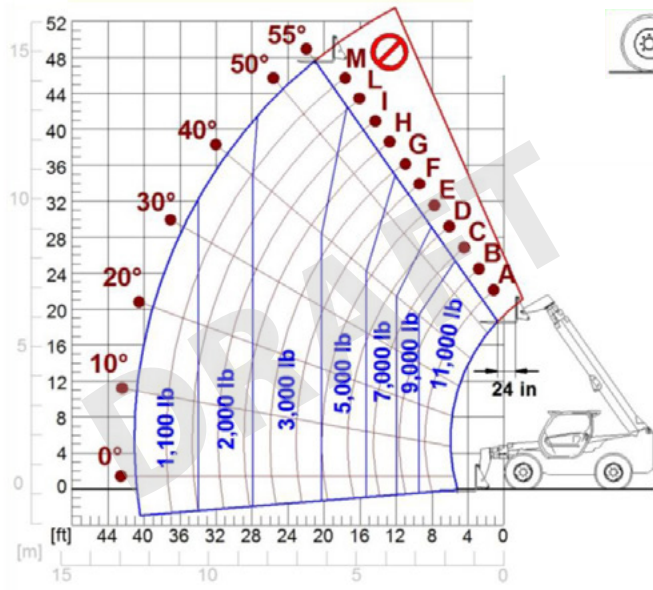


MERLO

PERFORMANCE AND FEATURES	P50.17 TOP		
PERFORMANCE			
Total unladen weight (lb)	31526		
Maximum capacity (lb)	11000		
Lifting height (ft)	54.5		
Maximum reach (ft)	41		
Maximum operating height (ft)	30' 2"		
Maximum operating reach (ft)	10' 0"		
Capacity at maximum height (lb)	5000		
Capacity at maximum reach (lb)	2700		
Lateral boom movement (inch)	± 17.1		
Tilting correction (%)	± 8		
Boom sections	4		
POWERTRAIN			
Turbo motor	DEUTZ TCD3.6		
Displacement/cylinders	3600/4		
Engine Power (kW/HP)	75/102		
Anti-pollution technology	TIER 4, SCR+DPF+DOC		
Reversible fan	-		
Maximum speed (mph)	25		
Fuel tank (gal)	37		
AdBlue tank (gal)	4.8		
Hydrostatic transmission	Top - 2V		
EPD	●		
Auto-revving joystick	●		
Axles - Reducers	Drop portal - RR700		
Machine brakes	Dry discs		
Automatic parking brake	●		
HYDRAULIC			
Hydraulic pump	LS+FS		
Flow rate/pressure (gal/min – psi)	38,3 - 3626		
Hydraulic tank (gal)	29		
Hydraulic outlet at the top of the boom	●		
Rear hydraulic outlets	○		
CAB			
Cab configuration	ECO		
ASCS Adaptive Stability Control System	Full		
FOPS LIV II cab	●		
ROPS cab	●		
Cab commands	Electronic joystick control		
Tilting Cab	-		
Reverse shuttle	Dual reverse		
CONFIGURATION			
Cab suspension	-		
Boom suspension	○		
Suspension on axles	-		
Work headlights on cab	○		
Sun blind	○		
Tac-lock	●		
Provision for a platform	○		
Two floating forks	●		
Inching-Control	●		
Four-wheel drive	●		
Four-wheel steering	●		
Three steering modes	●		
Standard tyres	400/80-24		
Optional tyres	440/80-24, 445/65-22.5"		
Stabilisers	Narrow		
Turret rotation	-		
Type approval as an agricultural tractor	-		
Approval with PNEUMATIC braking	-		
Approval with HYDRAULIC braking	-		
PTO	-		
3-point linkage	-		

- Not Available. ● standard. ○ optional.

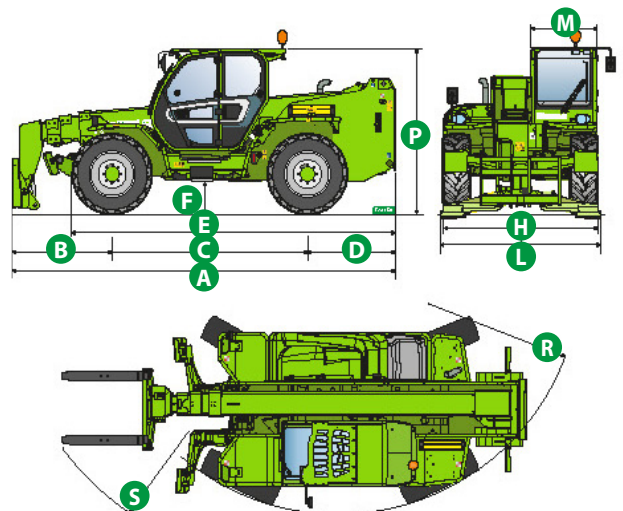
LOAD CHARTS



P50.17TOP

DIMENSIONS

	P50.17 TOP		
A (inch)	235.6		
B (inch)	60.6		
C (inch)	120.5		
D (inch)	54.5		
E (inch)	199.5		
F (inch)	19.1		
H (inch)	97.6		
L (inch)	39.8		
M (inch)	99.8		
P (inch)	167.9		
R (inch)	214.2		
S (inch)	33.5		





MERLO S.P.A.

Via Nazionale, 9
12010 S. Defendente di Cervasca
(Cuneo) Italia

Tel. +39 0171 614111

Fax +39 0171 684101

info@merlo.com

www.merlo.com

Your Merlo dealer

DS_P5017 _0721_N.A.