



PANORAMIC P40.13

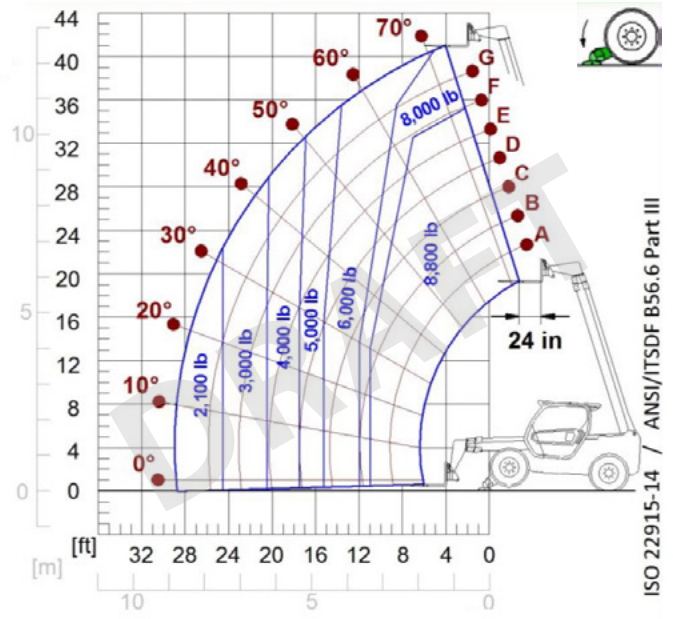
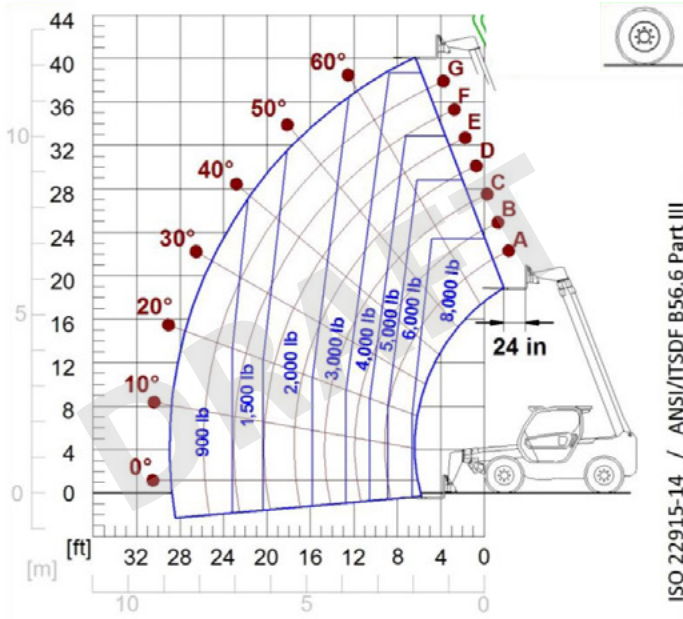


MERLO

PERFORMANCE AND FEATURES	P40.13 EE4	P40.13 PLUS	
PERFORMANCE			
Total unladen weight (lb)	20503	20503	
Maximum capacity (lb)	8800	8800	
Lifting height (ft)	41' 0"	41' 0"	
Maximum reach (ft)	28' 7"	28' 7"	
Maximum operating height (ft)	35' 0"	35' 0"	
Maximum operating reach (ft)	11' 0"	11' 0"	
Capacity at maximum height (lb)	8000	8000	
Capacity at maximum reach (lb)	2100	2100	
Lateral boom movement (inch)	± 13.4	± 13.5	
Tilting correction (%)	± 8	± 8	
Boom sections	3	3	
POWERTRAIN			
Turbo motor	KOHLER KDI2504	PERKINS 904J	
Displacement/cylinders	2500/4	3600/4	
Engine Power (kW/HP)	55,4/75,1	85,9/115	
Anti-pollution technology	TIER 4, DOC	TIER 4, SCR+DPF+DOC	
Reversible fan	●	●	
Maximum speed (mph)	20.5	25	
Fuel tank (gal)	37	37	
AdBlue tank (gal)	-	4.8	
Hydrostatic transmission	● - 2V	● - 2V	
EPD	●	●	
Auto-revving joystick	●	●	
Axles - Reducers	Drop portal - RR700	Drop portal - RR700	
Machine brakes	Dry discs	Dry discs	
Automatic parking brake	●	●	
HYDRAULIC			
Hydraulic pump	LS	LS	
Flow rate/pressure (gal/min – psi)	27.5 - 3626	27.5 - 3626	
Hydraulic tank (gal)	26.4	26.4	
Hydraulic outlet at the top of the boom	●	●	
Rear hydraulic outlets	○	○	
CAB			
Cab configuration	ECO	ECO	
ASCS Adaptive Stability Control System	Light	Full	
FOPS LIV II cab	●	●	
ROPS cab	●	●	
Cab commands	Electronic joystick control	Electronic joystick control	
Tilting Cab	-	-	
Reverse shuttle	Dual reverse	Dual reverse	
CONFIGURATION			
Cab suspension	-	-	
Boom suspension	○	○	
Suspension on axles	-	-	
Work headlights on cab	○	○	
Sun blind	○	○	
Tac-lock	●	●	
Provision for a platform	○	○	
Two floating forks	●	●	
Inching-Control	●	●	
Four-wheel drive	●	●	
Four-wheel steering	●	●	
Three steering modes	●	●	
Standard tyres	400/70-20	400/70-20	
Optional tyres	405/70-24	405/70-24	
Stabilisers	Narrow	Narrow	
Turret rotation	-	-	
Type approval as an agricultural tractor	-	-	
Approval with PNEUMATIC braking	-	-	
Approval with HYDRAULIC braking	-	-	
PTO	-	-	
3-point linkage			

- Not Available. ● standard. ○ optional.

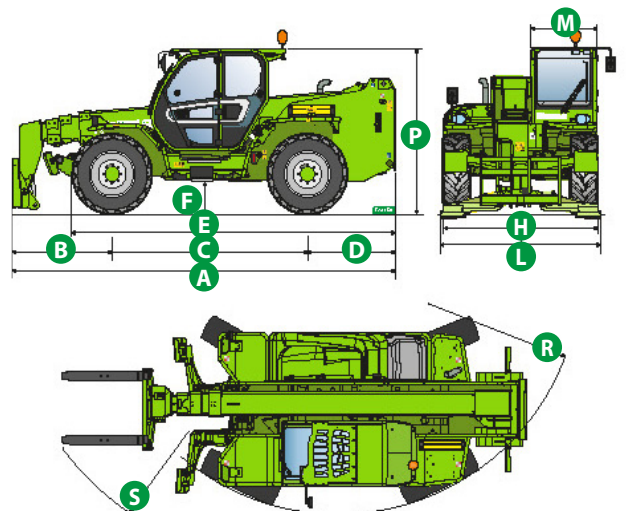
LOAD CHARTS



P40.13

DIMENSIONS

	P40.13		
A (inch)	213.0		
B (inch)	66.5		
C (inch)	110.6		
D (inch)	35.8		
E (inch)	167.7		
F (inch)	14.8		
H (inch)	88.2		
L (inch)	39.8		
M (inch)	95.5		
P (inch)	154.3		
R (inch)	194.5		
S (inch)	33.5		





MERLO S.P.A.

Via Nazionale, 9
12010 S. Defendente di Cervasca
(Cuneo) Italia

Tel. +39 0171 614111

Fax +39 0171 684101

info@merlo.com

www.merlo.com

Your Merlo dealer

DS_P4013 _0721_N.A.