



PANORAMIC P27.6EE4



MERLO

PERFORMANCE AND FEATURES
P27.6EE4 PLUS
P27.6EE4 TOP
PERFORMANCE

| | | |
|---------------------------------|--------|--------|
| Total unladen weight (lb) | 10692 | 10692 |
| Maximum capacity (lb) | 6000 | 6000 |
| Lifting height (ft) | 19' 4" | 19' 4" |
| Maximum reach (ft) | 10' 9" | 10' 9" |
| Maximum operating height (ft) | 14' 0" | 14' 0" |
| Maximum operating reach (ft) | 4' 0" | 4' 0" |
| Capacity at maximum height (lb) | 3300 | 3300 |
| Capacity at maximum reach (lb) | 2000 | 2000 |
| Lateral boom movement (inch) | - | - |
| Tilting correction (%) | - | - |
| Boom sections | 2 | 2 |

POWERTRAIN

| | | |
|---------------------------|-------------------|-------------------|
| Turbo motor | KOHLER KD2504 TCR | KOHLER KD2504 TCR |
| Displacement/cylinders | 2500/4 | 2500/4 |
| Engine Power (kW/HP) | 55,4/75,1 | 55,4/75,1 |
| Anti-pollution technology | TIER 4, DOC | TIER 4, DOC |
| Reversible fan | - | - |
| Maximum speed (mph) | 25 | 25 |
| Fuel tank (gal) | 18,5 | 18,5 |
| AdBlue tank (gal) | - | - |
| Hydrostatic transmission | ● - 1V | Top |
| EPD | - | - |
| Auto-revving joystick | - | - |
| Axles - Reducers | Axial, Epicyclic | Axial, Epicyclic |
| Machine brakes | Dry disc | Dry disc |
| Automatic parking brake | ● | ● |

HYDRAULIC

| | | |
|---|-------------|-------------|
| Hydraulic pump | Gear | Gear |
| Flow rate/pressure (gal/min – psi) | 25,1 - 3046 | 25,1 - 3046 |
| Hydraulic tank (gal) | 18,5 | 18,5 |
| Hydraulic outlet at the top of the boom | ● | ● |
| Rear hydraulic outlets | ○ | ○ |

CAB

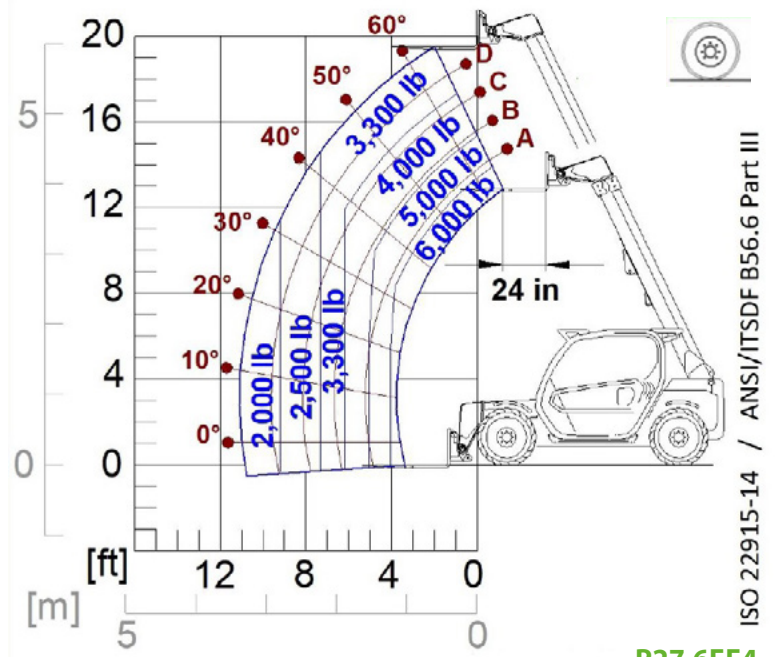
| | | |
|--|--------------------------|--------------------------|
| Cab configuration | ECO | ECO |
| ASCS Adaptive Stability Control System | - | - |
| FOPS LIV II cab | ● | ● |
| ROPS cab | ● | ● |
| Cab commands | Electromechanic joystick | Electromechanic joystick |
| Tilting Cab | - | - |
| Reverse shuttle | Finger touch | Finger touch |

CONFIGURATION

| | | |
|--|------------------------|------------------------|
| Cab suspension | - | - |
| Boom suspension | ○ | ○ |
| Suspension on axles | - | - |
| Work headlights on cab | ○ | ○ |
| Sun blind | ○ | ○ |
| Tac-lock | ● | ● |
| Provision for a platform | ○ | ○ |
| Two floating forks | ● | ● |
| Inching-Control | ● | ● |
| Four-wheel drive | ● | ● |
| Four-wheel steering | ● | ● |
| Three steering modes | ● | ● |
| Standard tyres | 12-16.5 | 12-16.5 |
| Optional tyres | 12/75-4.8; 300/80-15.3 | 12/75-4.8; 300/80-15.3 |
| Stabilisers | - | - |
| Turret rotation | - | - |
| Type approval as an agricultural tractor | - | - |
| Approval with PNEUMATIC braking | - | - |
| Approval with HYDRAULIC braking | - | - |
| PTO | - | - |
| 3-point linkage | - | - |

- Not Available. ● standard. ○ optional.

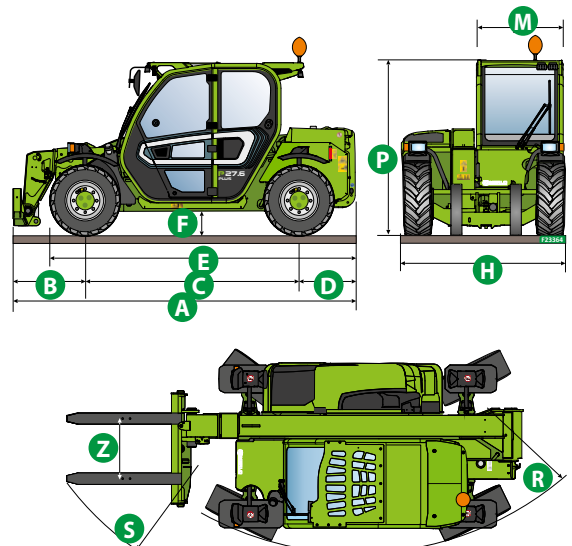
LOAD CHARTS



P27.6EE4

DIMENSIONS

| | P27.6EE4 PLUS | P27.6EE4 TOP | |
|----------|---------------|--------------|--|
| A (inch) | 153.9 | 153.9 | |
| B (inch) | 32.3 | 32.3 | |
| C (inch) | 96.5 | 96.5 | |
| D (inch) | 25.2 | 25.2 | |
| E (inch) | 137.6 | 137.6 | |
| F (inch) | 10.6 | 10.6 | |
| H (inch) | 73.2 | 73.2 | |
| M (inch) | 39.8 | 39.8 | |
| P (inch) | 77.2 | 77.2 | |
| R (inch) | 132.7 | 132.7 | |
| S (inch) | 165.4 | 165.4 | |
| Z (inch) | 33.5 | 33.5 | |





MERLO S.P.A.
Via Nazionale, 9
12010 S. Defendente di Cervasca
(Cuneo) Italia
Tel. +39 0171 614111
Fax +39 0171 684101

info@merlo.com
www.merlo.com

Your Merlo dealer

DS_P276EE4.0721_N.A.