

Tractor Telehandlers

MF34.7

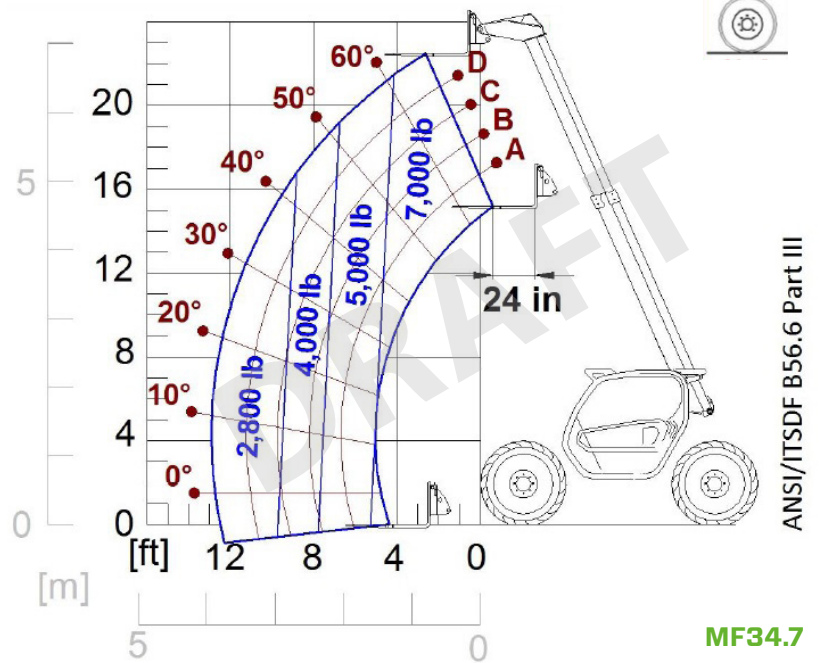




PERFORMANCE AND FEATURES	MF34.7	MF34.7CS-140	MF34.7CS CVT
Performance			
Total unladen weight (lb)	17416	17637	17637
Maximum capacity (lb)	7000	7000	7000
Lifting height (ft)	22' 5"	22' 5"	22' 5"
Maximum reach (ft)	13' 0"	13' 0"	13' 0"
Maximum operating height (ft)	22' 5"	22' 5"	22' 5"
Maximum operating reach (ft)	5' 0"	5' 0"	5' 0"
Capacity at maximum height (lb)	7000	7000	7000
Capacity at maximum reach (lb)	2800	2800	2800
Lateral boom movement (inch)	-	-	-
Tilting correction (%)	± 8	± 8	± 8
Boom sections	-	2	-
PowerTrain			
Turbo motor	DEUTZ TCD3.6	DEUTZ TCD3.6	DEUTZ TCD3.6
Displacement/cylinders	3600/4	3600/4	3600/4
Engine Power (kW/HP)	100/136	100/136	100/136
Anti-pollution technology	STAGE V, SCR+DOC+DPF	STAGE V, SCR+DOC+DPF	STAGE V, SCR+DOC+DPF
Reversible fan	○	○	○
Maximum speed (mph)	25	25	25
Fuel tank (gal)	37	37	37
AdBlue tank (gal)	4.8	4.8	4.8
Hydrostatic transmission	● - 2V	● - 2V	CVTronic
EPD	Plus	Plus	Plus
Auto-revving joystick	●	●	●
Axles - Reducers	Axial, Epicyclic	Axial, Epicyclic	Axial, Epicyclic
Machine brakes	Dry discs	Dry discs	Dry discs
Automatic parking brake	●	●	●
Hydraulic			
Hydraulic pump	LS + FS	LS + FS	LS + FS
Flow rate/pressure (gal/min - psi)	38,3 - 3045	38,3 - 3045	38,3 - 3045
Hydraulic tank	26.4	26.4	26.4
Hydraulic outlet at the top of the boom	●	●	●
Rear hydraulic outlets	2 - ●	2 - ●	2 - ●
Cab			
Cab configuration	ECO	ECO	ECO
ASCS Adaptive Stability Control System	Light	Light	Light
FOPS LIV II cab	●	●	●
ROPS cab	●	●	●
Cab commands	Electronic joystick	Electronic joystick	Electronic joystick
Tilting Cab	-	-	-
Reverse shuttle	Dual reverse	Dual reverse	Dual reverse
Configuration			
Cab suspension	-	●	●
Boom suspension	○	○	○
Suspension on axles	-	-	-
Work headlights on cab	●	●	●
Sun blind	○	○	○
Tac-lock	●	●	●
Provision for a platform	○	○	○
Two floating forks	●	●	●
Inching-Control	●	●	●
Four-wheel drive	●	●	●
Four-wheel steering	●	●	●
Three steering modes	●	●	●
Standard tyres	460/70-R24	460/70-R24	460/70-R24
Optional tyres	400/70 20"; 405/70 20"; 400/70 24"; 405/70 24"; 405/70 R20; 460/65 R24"	400/70 20"; 405/70 20"; 400/70 24"; 405/70 24"; 405/70 R20; 460/65 R24"	400/70 20"; 405/70 20"; 400/70 24"; 405/70 24"; 405/70 R20; 460/65 R24"
Stabilisers	-	-	-
Turret rotation	-	-	-
Type approval as an agricultural tractor	●	●	●
Approval with PNEUMATIC braking	○	○	○
Approval with HYDRAULIC braking	○	○	○
PTO	●	●	●
3-point linkage	●	●	●

- Not Available
● Standard
○ Optional

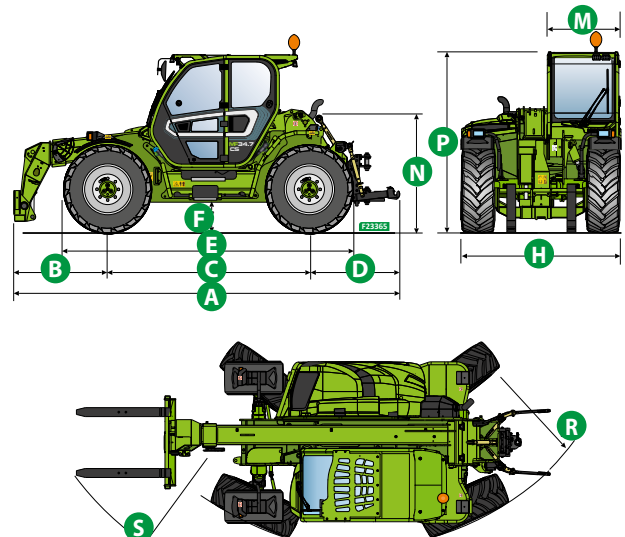
Load charts



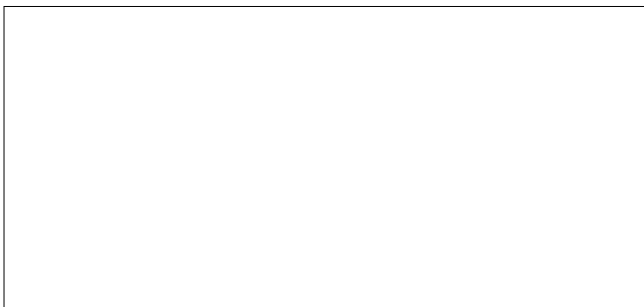
Dimensions



	MF34.7		
A (inch)	214.2		
B (inch)	52.2		
C (inch)	112.2		
D (inch)	49.8		
E (inch)	161.4		
F (inch)	16.9		
H (inch)	88.2		
M (inch)	39.8		
N (inch)	-		
P (inch)	97.8		
R (inch)	150.6		
S (inch)	192.9		



Your Merlo dealer



MF34.7:

... - VIN: ... - SAV: ... - ...

MF34.7CS-140:

MA00929 - VIN: D2003656 - SAV: D227299 - 05/07/2022

MF34.7CSCVT:

... - VIN: ... - SAV: ... - ...

MERLO S.P.A.

Via Nazionale, 9

12010 S. Defendente di Cervasca, (Cuneo) Italia

Tel. +39 0171 614111

Fax +39 0171 684101

info@merlo.com

www.merlo.com

