



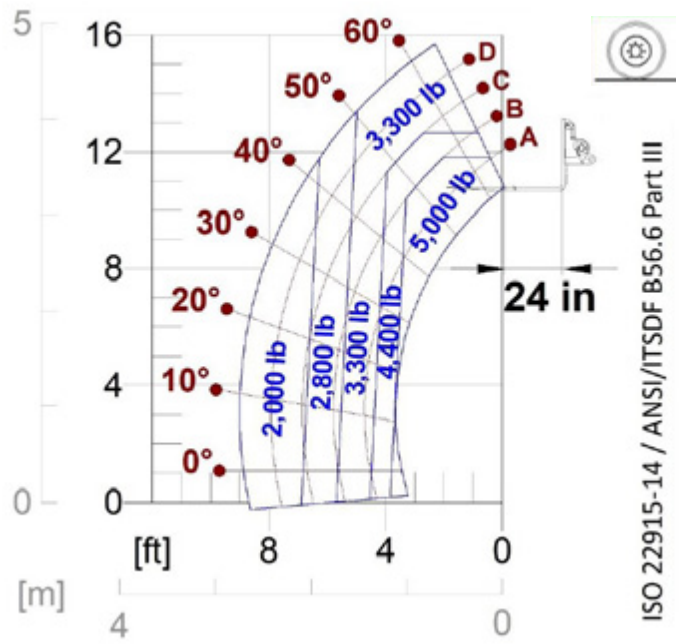
**eWORKER**

**MERLO**

PERFORMANCE AND FEATURES	EW 25.5-60	EW 25.5-90	
<b>PERFORMANCE</b>			
Unladen weight (lb)	10913	10913	
Maximum load capacity (lb)	5,000	5,000	
Lift height (ft)	15.8	15.8	
Maximum reach (ft)	9	9	
Load capacity at max. height (lb)	3,300	3,300	
Load capacity at max. reach (lb)	2,000	2,000	
Height - maximum load capacity (ft)	11.8	11.8	
Reach at max. load capacity (ft)	4	4	
Boom section	2	2	
<b>POWERTRAIN</b>			
Engine	2 x Electrical	3 x Electrical	
Battery (type and V)	lead-acid - 48 V	lead-acid - 48 V	
Nominal capacity	960 Ah	960 Ah	
Emissions	No emissions	No emissions	
MAX power (kW/HP)	44/60	66/90	
Maximum speed (mph)	15.5	15.5	
Traction	2WD, 3 traction modes	4WD, 3 traction modes	
Autonomy (hours)	8h	8h	
Recharge time (hours)	9h (220 V)	9h (220 V)	
Recharge voltage	220V / 400V	220V / 400V	
Battery charger	●	●	
<b>HYDRAULIC SYSTEM</b>			
Hydraulic pump	LS + FS	LS + FS	
Delivery/pressure (gal/min-bar)	11.1 - 3045,8	11.1 - 3045,8	
Hydraulic outlet on top of the boom	●	●	
Rear hydraulic outlets	○	○	
<b>CAB</b>			
Closed cab	○	○	
FOPS LIV I and ROPS	●	●	
Controls	Electronic joystick control	Electronic joystick control	
Reverse shuttle	dual reverse	dual reverse	
<b>CONFIGURATION</b>			
Battery fast replacement	●	●	
Tac-lock	●	●	
Work lights on cab (LED)	●	●	
Rotating beacon and blue reverse light	●	●	
Two floating forks	●	●	
Hydropneumatic suspension BSS	○	○	
Two steering wheels	Rear	Rear	
Front standard tyres	AS 504 10,0/75-15,3 18PR	AS 504 10,0/75-15,3 18PR	
Rear standard tyres	AW702 10,0/75-15,3 18PR	AS 504 10,0/75-15,3 18PR	
Optional tyres	Liftmax LM81 7,5R15	Liftmax LM81 7,5R15 TR315 31x15,5-15 12PR	
E-holder brakes	●	●	
Regenerative braking	●	●	
Automatic parking brake	●	●	
Pre-arrangement for aerial work platform	○	○	
Tractor type approval	-	○	
Carriage ZM2S	●	●	

- Not Available. ● standard. ○ optional.

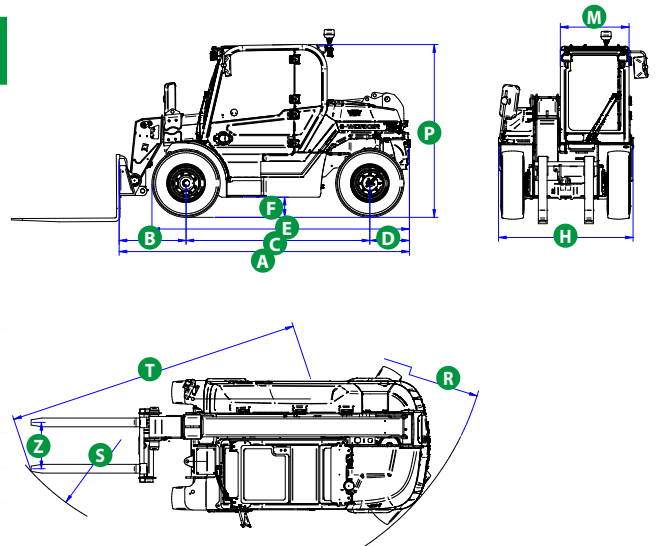
## LOAD CHARTS



**EWORKER**

## DIMENSIONS

	EW 25.5-60	EW 25.5-90	
A (inch)	130.7	130.7	
B (inch)	30.1	30.1	
C (inch)	82.7	82.7	
D (inch)	17.9	17.9	
E (inch)	115.7	115.7	
F (inch)	9.1	9.1	
H (inch)	60.6	60.6	
M (inch)	30.3	30.3	
P (inch)	77.8	77.8	
R (inch)	112.2	128.0	
S (inch)	87.8	106.3	
T (inch)	132.5	132.5	
Z (inch)	21.7	21.7	





**MERLO S.P.A.**

Via Nazionale, 9  
12010 S. Defendente di Cervasca  
(Cuneo) Italia

Tel. +39 0171 614111

Fax +39 0171 684101

[info@merlo.com](mailto:info@merlo.com)

[www.merlo.com](http://www.merlo.com)

**Your Merlo dealer**

DS\_eworker\_0622\_N.A.