



TURBOFARMER HD

TF65.9



MERLO

PERFORMANCE AND FEATURES

TF65.9T-170-HF

TF65.9TCS-170-HF

TF65.9TCS-170-CVT-HF

PERFORMANCE

Total unladen weight (lb)	24251	24692	24802
Maximum capacity (lb)	14300	14300	14300
Lifting height (ft)	28' 9"	28' 9"	28' 9"
Maximum reach (ft)	15' 4"	15' 4"	15' 4"
Maximum operating height (ft)	22' 0"	22' 0"	22' 0"
Maximum operating reach (ft)	6' 0"	6' 0"	6' 0"
Capacity at maximum height (lb)	9700	9700	9700
Capacity at maximum reach (lb)	4400	4400	4400
Lateral boom movement (inch)	-	-	-
Tilting correction (%)	± 8	± 8	± 8
Boom sections	2	2	2

POWERTRAIN

Turbo motor	FPT NEF45	FPT NEF45	FPT NEF45
Displacement/cylinders	4500/4	4500/4	4500/4
Engine Power (kW/HP)	125/170	125/170	125/170
Anti-pollution technology	TIER 4, SCR+DOC+DPF	TIER 4, SCR+DOC+DPF	TIER 4, SCR+DOC+DPF
Reversible fan	-	-	-
Maximum speed (mph)	25	25	25
Fuel tank (gal)	37	37	37
AdBlue tank (gal)	4.8	4.8	4.8
Hydrostatic transmission	● - 2V	● - 2V	CVTronic
EPD	Plus	Plus	Plus
Auto-revving joystick	●	●	●
Axles - Reducers	Axial, Epicyclic	Axial, Epicyclic	Axial, Epicyclic
Machine brakes	Dry disc	Dry disc	Dry disc
Automatic parking brake	●	●	●

HYDRAULIC

Hydraulic pump	HF*	HF*	HF*
Flow rate/pressure (gal/min – psi)	42,3 - 3626	42,3 - 3626	42,3 - 3626
Hydraulic tank (gal)	26.4	26.4	26.4
Hydraulic outlet at the top of the boom	●	●	●
Rear hydraulic outlets	○	○	○

CAB

Cab configuration	Premium	Premium	Premium
ASCS Adaptive Stability Control System	Full	Full	Full
FOPS LIV II cab	●	●	●
ROPS cab	●	●	●
Cab commands	Electronic joystick	Electronic joystick	Electronic joystick
Tilting Cab	-	-	-
Reverse shuttle	Dual reverse	Dual reverse	Dual reverse

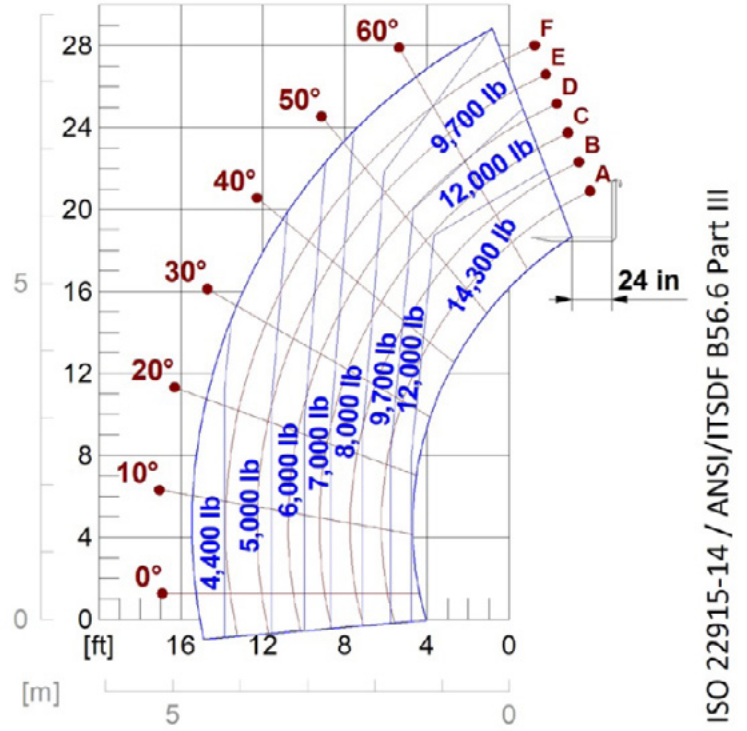
CONFIGURATION

Cab suspension	-	●	●
Boom suspension	●	●	●
Suspension on axles	-	-	-
Work headlights on cab	●	●	●
Sun blind	●	●	●
Tac-lock	●	●	●
Provision for a platform	-	-	-
Two floating forks	●	●	●
Inching-Control	●	●	●
Four-wheel drive	●	●	●
Four-wheel steering	●	●	●
Three steering modes	●	●	●
Standard tyres	500/70-R24	500/70-R24	500/70-R24
Optional tyres	500/70-24; 600/55-26.5	500/70-24; 600/55-26.5	500/70-24; 600/55-26.5
Stabilisers	-	-	-
Turret rotation	-	-	-
Type approval as an agricultural tractor	○	○	○
Approval with PNEUMATIC braking	○	○	○
Approval with HYDRAULIC braking	○	○	○
PTO	-	-	-
3-point linkage	-	-	-

*LS + FS + oversized distributor

- Not Available. ● standard. ○ optional.

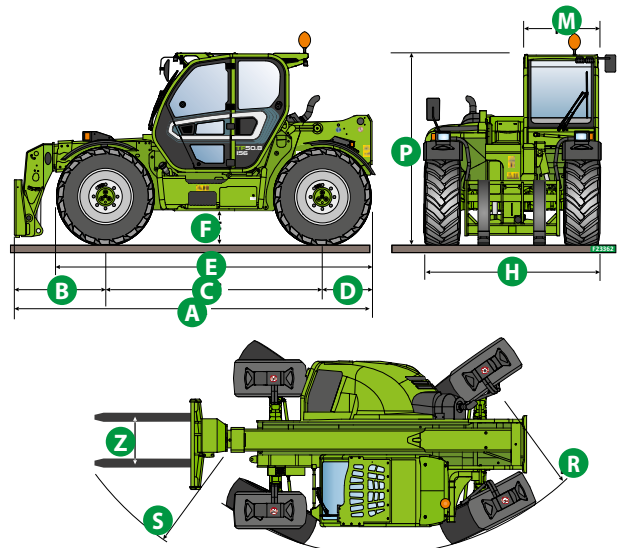
LOAD CHARTS



TF65.9T-170-HF

DIMENSIONS

	TF65.9T 170-HF	TF65.9T CS-170-HF	TF65.9TCS 170-CVT-HF
A (inch)	207.1	207.1	207.1
B (inch)	50.0	50.0	50.0
C (inch)	120.1	120.1	120.1
D (inch)	37.0	37.0	37.0
E (inch)	183.5	183.5	183.5
F (inch)	17.3	17.3	17.3
H (inch)	94.5	94.5	94.5
M (inch)	39.8	39.8	39.8
P (inch)	98.8	98.8	98.8
R (inch)	179.5	179.5	179.5
S (inch)	209.6	209.6	209.6
Z (inch)	33.5	33.5	33.5





MERLO S.P.A.
Via Nazionale, 9
12010 S. Defendente di Cervasca
(Cuneo) Italia
Tel. +39 0171 614111
Fax +39 0171 684101

info@merlo.com
www.merlo.com

Your Merlo dealer

DS_TF659 _0721_N.A.