



**MULTIFARMER**  
**MF44.7CS-170EE-CVT**  
**MF44.9CS-170EE-CVT**

**MERLO**

## PERFORMANCE AND FEATURES

## MF44.7CS-170EE-CVT

## MF44.9CS-170EE-CVT

### PERFORMANCE

|                                 |
|---------------------------------|
| Total unladen weight (kg)       |
| Maximum capacity (kg)           |
| Lifting height (m)              |
| Maximum reach (m)               |
| Maximum operating height (m)    |
| Maximum operating reach (m)     |
| Capacity at maximum height (kg) |
| Capacity at maximum reach (kg)  |
| Lateral boom movement (mm)      |
| Tilting correction (%)          |
| Boom sections                   |

|      |
|------|
| 9000 |
| 4400 |
| 6.8  |
| 3.6  |
| 6.8  |
| 1.7  |
| 4000 |
| 1900 |
| -    |
| ± 8  |
| 2    |

|      |
|------|
| 9450 |
| 4400 |
| 8.8  |
| 5.8  |
| 8.8  |
| 1.7  |
| 4000 |
| 1000 |
| -    |
| ± 8  |
| 3    |

### POWERTRAIN

|                           |
|---------------------------|
| Turbo motor               |
| Displacement/cylinders    |
| Engine Power (kW/HP)      |
| Anti-pollution technology |
| Reversible fan            |
| Maximum speed (km/h)      |
| Fuel tank (l)             |
| AdBlue tank (l)           |
| Hydrostatic transmission  |
| EPD                       |
| Auto-revving joystick     |
| Axles - Reducers          |
| Machine brakes            |
| Automatic parking brake   |

|                  |
|------------------|
| FPT NEF45        |
| 4500/4           |
| 125/170          |
| TIER 2           |
| ○                |
| 40               |
| 140              |
| -                |
| CVTronic         |
| Plus             |
| ●                |
| Axial, Epicyclic |
| Dry discs        |
| ●                |

|                  |
|------------------|
| FPT NEF45        |
| 4500/4           |
| 125/170          |
| TIER 2           |
| ○                |
| 40               |
| 140              |
| -                |
| CVTronic         |
| Plus             |
| ●                |
| Axial, Epicyclic |
| Dry discs        |
| ●                |

### HYDRAULIC

|   |
|---|
| Hydraulic pump                          |
| Flow rate/pressure (l/min – bar)        |
| Hydraulic tank                          |
| Hydraulic outlet at the top of the boom |
| Rear hydraulic outlets                  |

|           |
|-----------|
| LS+FS     |
| 150 - 210 |
| 100       |
| ●         |
| 4 - ●     |

|           |
|-----------|
| LS+FS     |
| 150 - 210 |
| 100       |
| ●         |
| 4 - ●     |

### CAB

|  |
|--|
| Cab configuration                      |
| ASCS Adaptive Stability Control System |
| FOPS LIV II cab                        |
| ROPS cab                               |
| Cab commands                           |
| Tilting Cab                            |
| Reverse shuttle                        |

|                     |
|---------------------|
| Premium             |
| Full                |
| ●                   |
| ●                   |
| Electronic joystick |
| -                   |
| Dual reverse        |

|                     |
|---------------------|
| Premium             |
| Full                |
| ●                   |
| ●                   |
| Electronic joystick |
| -                   |
| Dual reverse        |

### CONFIGURATION

|  |
|--|
| Cab suspension                           |
| Boom suspension                          |
| Suspension on axles                      |
| Work headlights on cab                   |
| Sun blind                                |
| Tac-lock                                 |
| Provision for a platform                 |
| Two floating forks                       |
| Inching-Control                          |
| Four-wheel drive                         |
| Four-wheel steering                      |
| Three steering modes                     |
| Standard tyres                           |
| Optional tyres                           |
| Stabilisers                              |
| Turret rotation                          |
| Type approval as an agricultural tractor |
| Approval with PNEUMATIC braking          |
| Approval with HYDRAULIC braking          |
| PTO                                      |
| 3-point linkage                          |

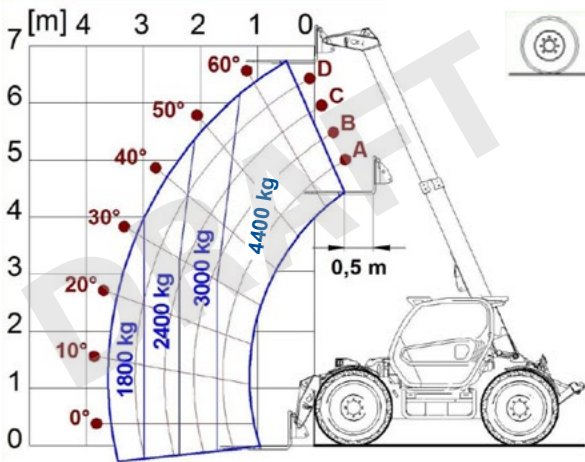
|   |
|---|
| ●   |
| ○   |
| -   |
| ●   |
| ●   |
| ●   |
| ○   |
| ●   |
| ●   |
| ●   |
| ●   |
| ●   |
| 500/70-24   |
| 500/70 R24; 500/70-24";<br>600/55-26.5"; 500/70 R22.5 |
| -   |
| -   |
| ○   |
| ○   |
| ○   |
| ○   |
| ●   |
| ●   |

|   |
|---|
| ●   |
| ○   |
| -   |
| ●   |
| ●   |
| ●   |
| ○   |
| ●   |
| ●   |
| ●   |
| ●   |
| ●   |
| 500/70-24   |
| 500/70 R24; 500/70-24";<br>600/55-26.5"; 500/70 R22.5 |
| -   |
| -   |
| ○   |
| ○   |
| ○   |
| ○   |
| ●   |
| ●   |

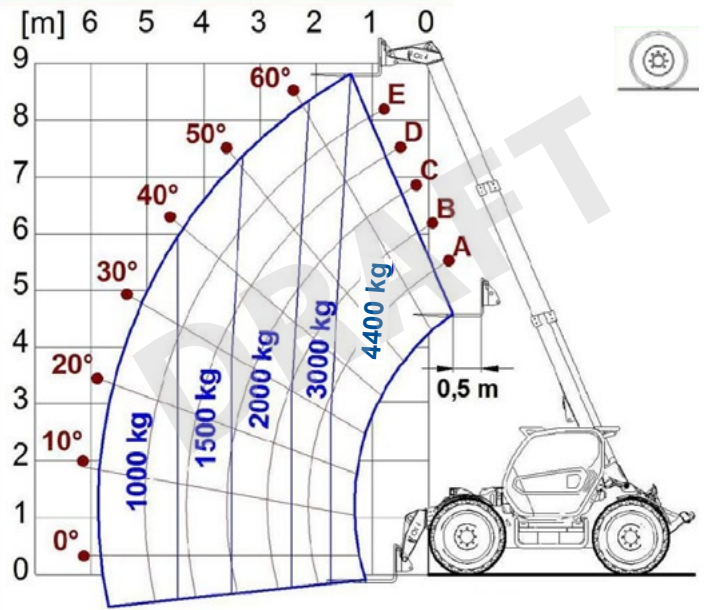
- Not Available. ● standard. ○ optional.



## LOAD CHARTS



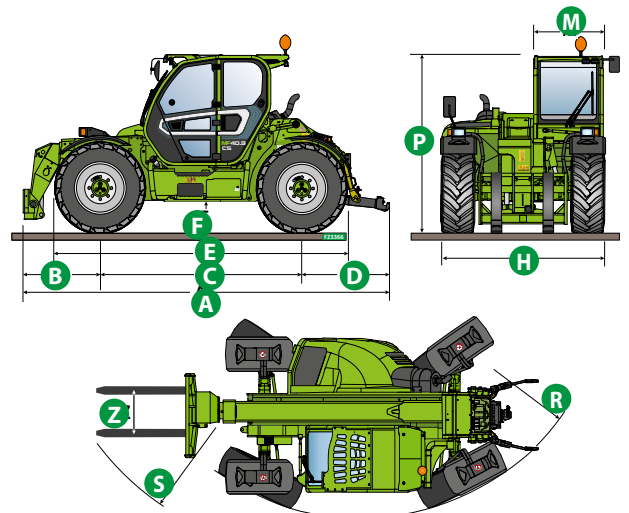
MF44.7CS-170EE-CVT



MF44.9CS-170EE-CVT

## DIMENSIONS

|        | MF44.7<br>CS-170EE-CVT | MF44.9<br>CS-170EE-CVT |  |
|--------|------------------------|------------------------|--|
| A (mm) | 5370                   | 5570                   |  |
| B (mm) | 1140                   | 1340                   |  |
| C (mm) | 2950                   | 2950                   |  |
| D (mm) | 1280                   | 1280                   |  |
| E (mm) | 4270                   | 4270                   |  |
| F (mm) | 440                    | 440                    |  |
| H (mm) | 2400                   | 2400                   |  |
| M (mm) | 1010                   | 1010                   |  |
| P (mm) | 2590                   | 2590                   |  |
| R (mm) | 4090                   | 4090                   |  |
| S (mm) | 4860                   | 5020                   |  |
| Z (mm) | 850                    | 850                    |  |





**MERLO S.P.A.**  
Via Nazionale, 9  
12010 S. Defendente di Cervasca  
(Cuneo) Italia  
Tel. +39 0171 614111  
Fax +39 0171 684101

**info@merlo.com**  
**www.merlo.com**

**Your Merlo dealer**